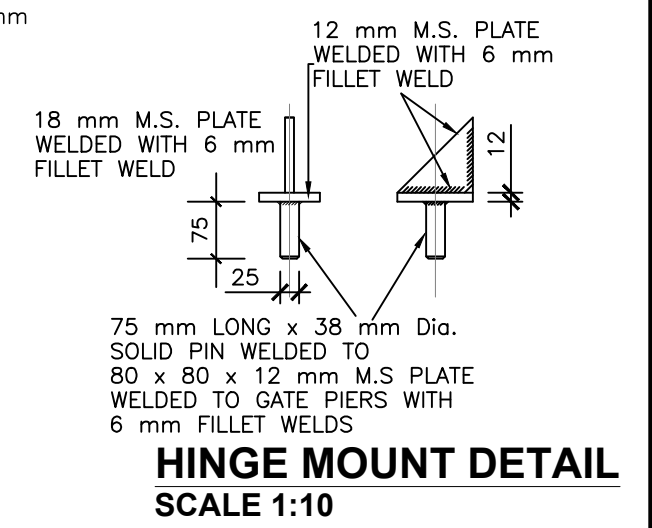
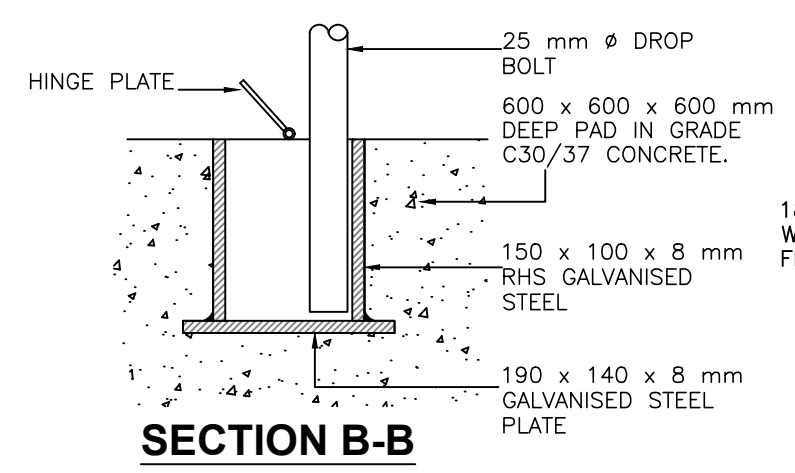
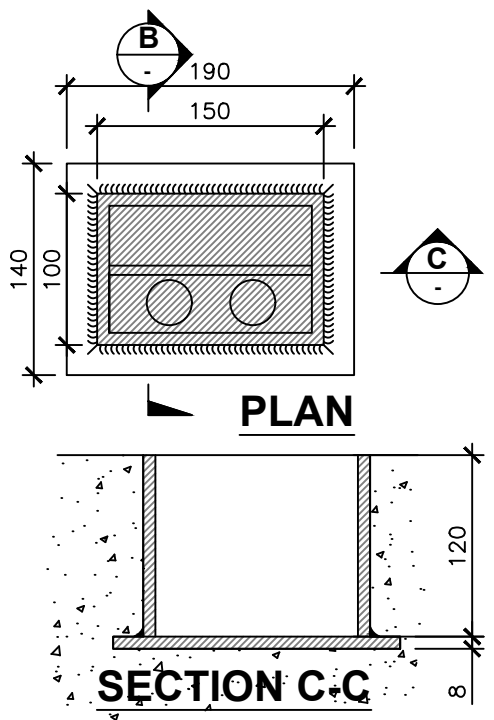
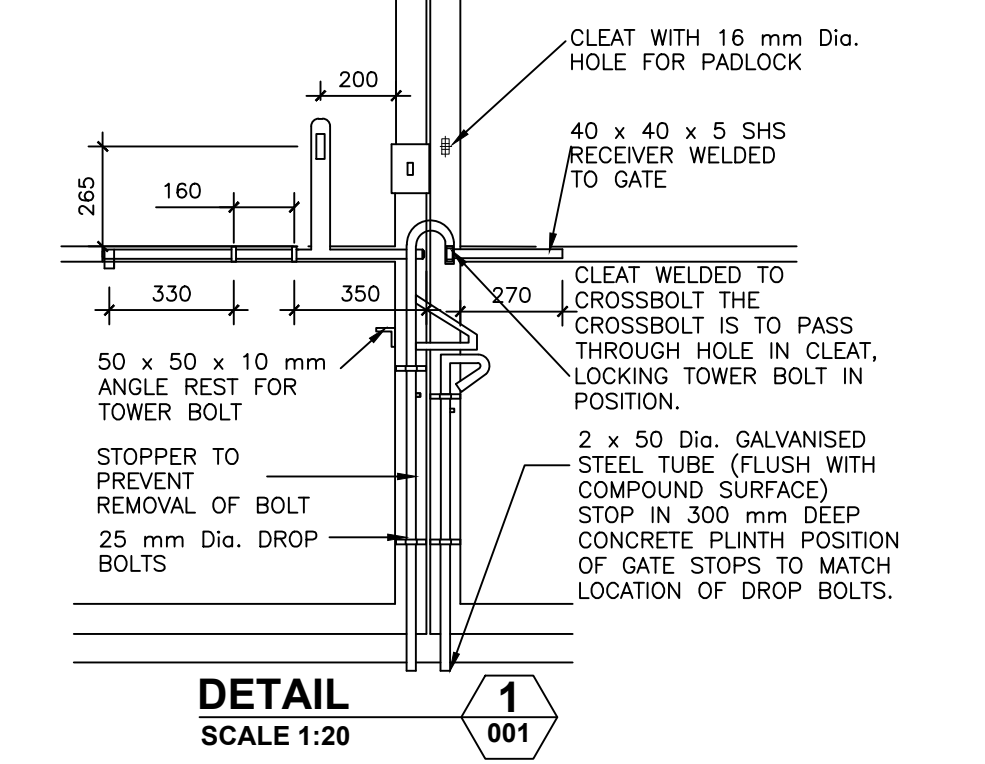
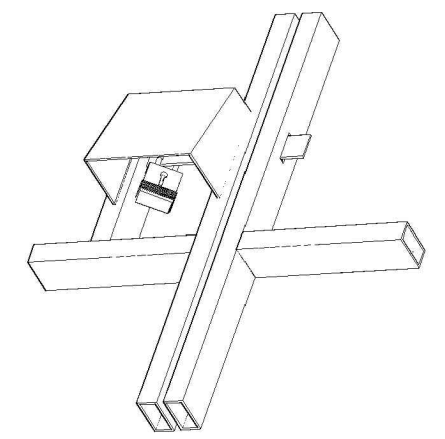
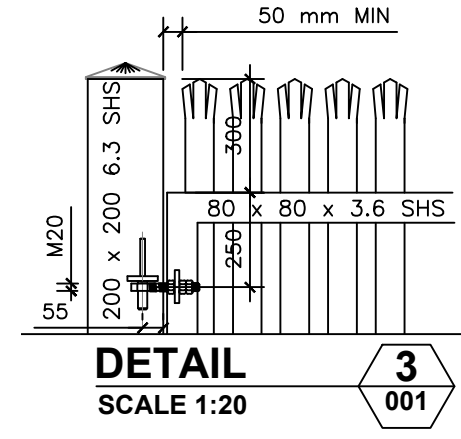
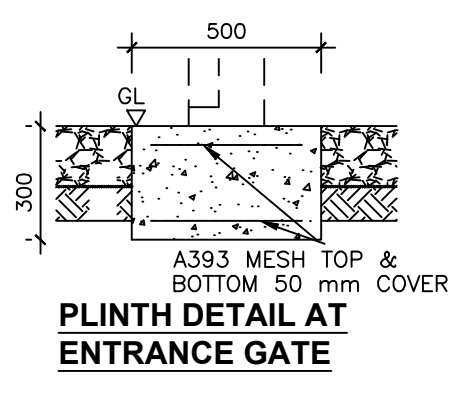
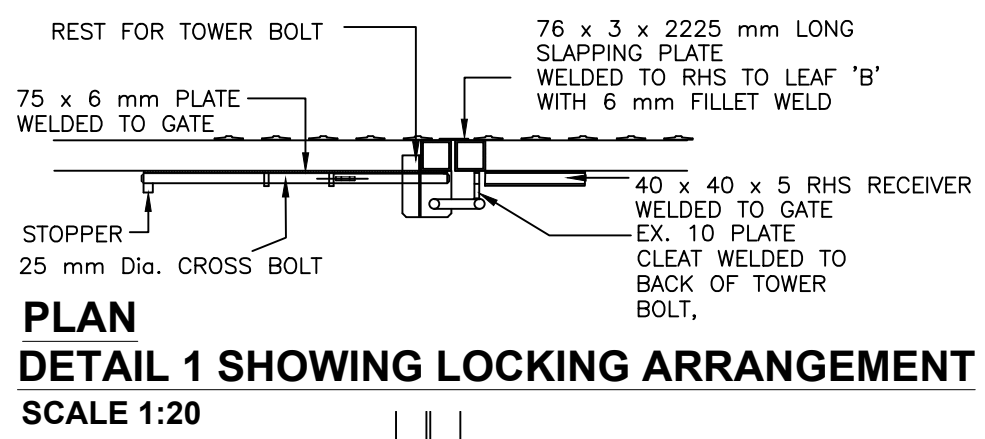


- NOTES**
- THIS DRAWING IS NOT TO BE SCALED.
  - GALVANISING TO BE IN ACCORDANCE WITH B.S. EN ISO 1461.
  - GREEN POWDER COATING TO BE IN ACCORDANCE 5. WITH B.S. EN 13438. COLOUR; MOSS GREEN RAL 6005.
  - PALES TO BE TRIPLE POINTED & SPLAYED, AND WELDED TO RAILS IN ACCORDANCE WITH CL. 5.1 OF BS 1722-12.
  - GAP BETWEEN PALES AND BETWEEN PALES AND RSJ TO BE NOT GREATER THAN 50 mm.
  - MINIMUM HEIGHT OF GATES ON EITHER SIDE OF COMPOUND IS TO BE 2600 mm.
  - IN AREAS OF MADE-UP GROUND, ADDITIONAL CONCRETE TO BE USED IN BASE QUANTITY TO BE APPROVED BY THE ENGINEER IN ADVANCE.
  - CONCRETE TO BE GRADE C30/37.
  - THE GATE IS TO BE CONSTRUCTED IN ACCORDANCE WITH B.S. 1722 PART 12.
  - TOP OF PALES TO GATES TO BE LEVEL WITH TOP OF PALES TO FENCE.
  - WASHERS TO BE USED ON ALL NUTS.



Rev	Date	Revision description	Drn	Prod	Ver	App
1	06.12.16	CLIENT NAME REVISED	SB	SB	BL	DS
0	16.02.16	ISSUED FOR PLANNING	RK	RK	BL	DS

Purpose of issue - Preliminary unless indicated  
 Tender  Client approval  Construction  As-built  Revised

**ESB INTERNATIONAL**

One Dublin Airport Central,  
Dublin Airport, Cloughran, Co. Dublin

Tel: 353 1 703 8000 Email: marketing@esbi.ie  
Web: www.esbinternational.ie

ESB International is a trading name of  
ESBI Engineering & Facility Management Ltd.

Registered Office: as above  
Registered in Ireland No. 155249

**Client**  
ESB WIND DEVELOPMENT LTD. AND  
BORD NA MÓNA POWERGEN LTD.

**Project**  
TIMAHOE NORTH SOLAR FARM

**Contract**

**Drawing title**  
TIMAHOE NORTH SOLAR FARM  
PALISADE GATES - NOTES & DETAILS  
SHEET 2 OF 2

**Production unit**  
ESB WIND DEVELOPMENT LTD

COPYRIGHT © ESBI ENGINEERING & FACILITY MANAGEMENT LIMITED. All rights reserved. No part of this work may be modified or reproduced or copied in any form or by any means - graphic, electronic or mechanical, including photocopying, recording, taping or information-and-retrieval system, or used for any purpose other than its designated purpose, without the written permission of ESBI Engineering & Facility Management Ltd.

Drawn <b>S. Bolton</b>	Produced	Verified	Approved	Approved date
Client ref. <b>TC219348</b>	No. of sheets <b>1</b>	Size <b>A3</b>	Scale <b>AS SHOWN</b>	
Drawing number <b>PE605-D025-009-002-001</b>		Sheet	Rev	